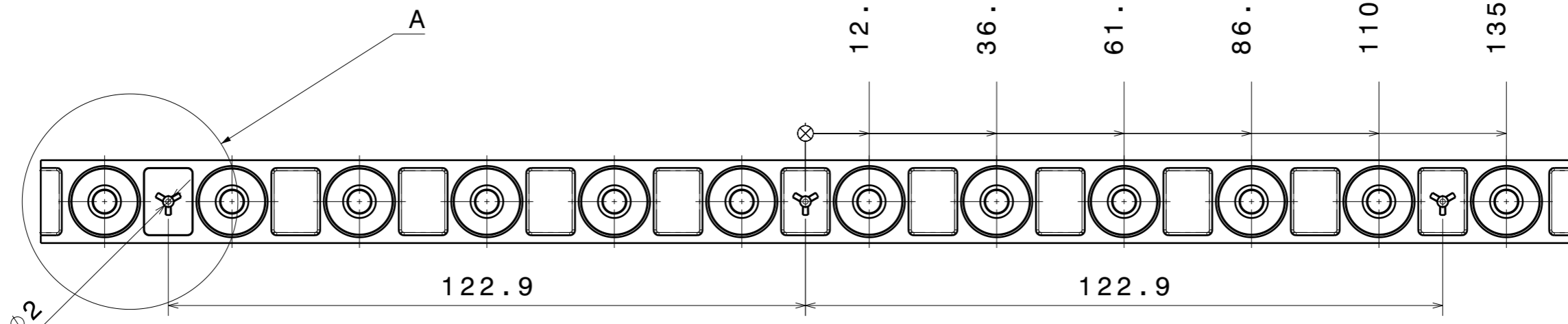


H G F E D C B A

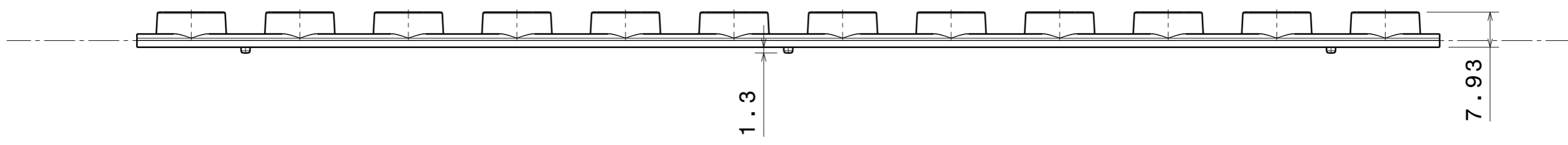
4

4



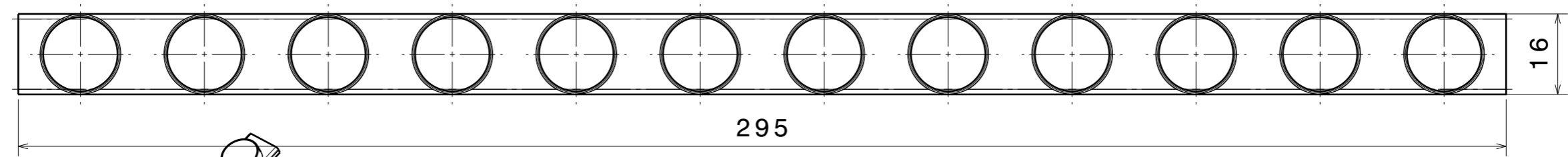
3

3



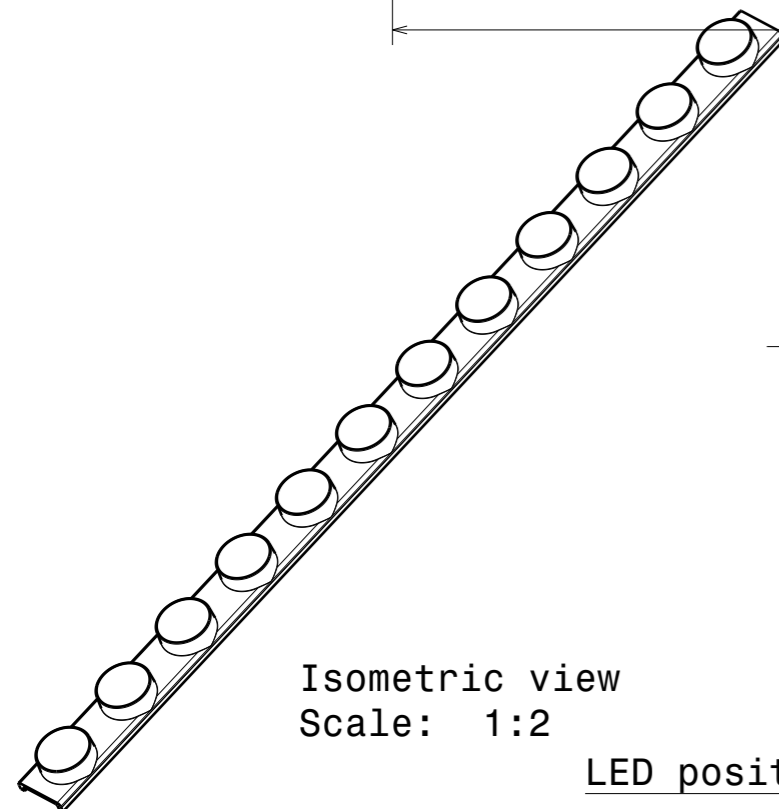
2

2

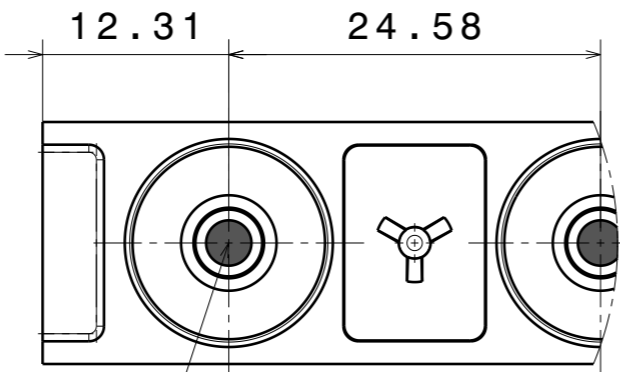


1

1



Isometric view
Scale: 1:2



Detail A
Scale: 2:1

LED position

Tolerances if not otherwise shown
According to DIN ISO 2768-1
Linear measures:
Up to 30mm class F, otherwise class M.
According to DIN ISO 2768-2
Form and position: class K

THIRD ANGLE PROJECTION:

This drawing is the property
of LEDiL Oy. It may not be
reproduced, copied or
communicated without a written
agreement with LEDiL Oy."

INDEX	PART NO	DESCRIPTION	MATERIAL	COLOUR
1	-	VANESSA-B series	PMMA	

LEDiL	LediL Oy Salorankatu 10 FIN 24240 SALO Finland				
	Drawing Title Datasheet_VANESSA-B				
SIZE	PART NUMBER				
A3	-				
SCALE	1:1	WEIGHT	(g)	SHEET	1/1

H G F E D C B A